

PERMALOCK

The PermaLock enables you to create a sturdy connection for everything you would want to attach to the Permavoid 85S unit. The PermaLock is inserted into the unit at any of the openings and secured with

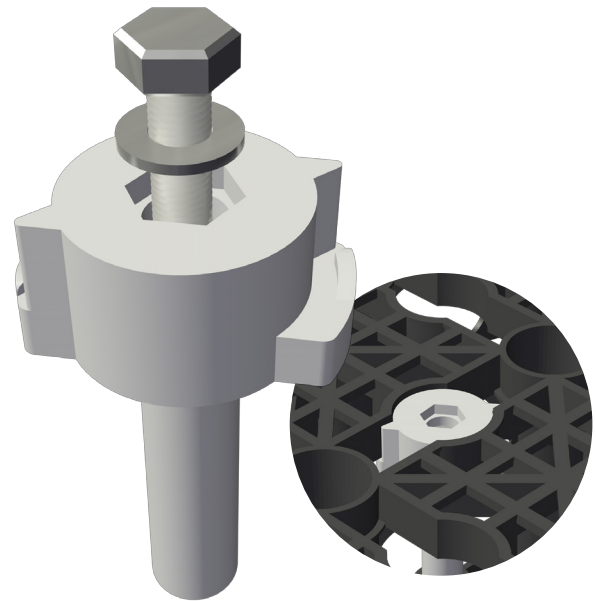
a bayonet lock. The PermaLock houses a standard 8 mm (5/16") steel thread, in which bolts can be screwed to attach for example fencing, solar panel systems or wooden decks to the Permavoid subbase.

Applications

Connecting element / "plug-in" for the Permavoid 85S unit.

GENERAL

Brand	Permavoid
Product name	PermaLock
Item nr.	3510005
Color	White
Material	Glass fibre reinforced Polypropene
Material description	Frost resistant, hydrofoob, inert, acid and hydrocarbon resistant, impervious to bacterial and fungal growth
Recycled/Virgin	Virgin
Lifespan	> 50 years



* Bolts not included.

PERMALOCK

SIZE

Size	35 x 47 x 79 mm (L x w x h, approx.)
Weight	approx. 30 g
Color	White
Coefficient of Linear Thermal Expansion	0,00003 m/m K

PACKAGING

Packaging	Box, 500 pieces 390 x 290 x 250 mm (L x w x h)
Pallet size	1.200 x 800 x 1.700 mm (L x w x h)
Pallet capacity	24 boxes, 12.000 pieces
Pallet total weight	300 kg
Storage instruction	None
HS Code	39269097

Notes

Permavoid Ltd. will not be held liable if our products are used in a manner inconsistent with our requirements, standards or the purposes indicated in the standards. Standards can be obtained at www.permavoid.com. This document is not contractual. With our constant concern for improvements, the information this document contains and the products presented may be modified without notice. The latest version of this document can be obtained at www.permavoid.com. Please get in touch with us if you require any further documentation or information.

Data Sheet: PDS-7
Last revised: January 2021

Permavoid Head Office

Kattenburgerstraat 5
1018 JA | Amsterdam | The Netherlands
www.permavoid.com | info@permavoid.co.uk

Permavoid Ltd. is part of the Polypipe Group.